

WITHDRAWABLE CIRCUIT BREAKER WITH GUIDE
FRAME 3-POLE, SIZE I, IEC IN=1250A TO 690V,
AC50/60HZ ICU=55KA AT 500V REAR CONNECTION
HORIZONTAL



Model		
Product brand name		SENTRON
Product designation		ACB
Design of the auxiliary switch		2 NO + 2 NC
Design of the operating mechanism		Pushbutton
Type of the driving mechanism		Manual operating mechanism with mechanical closing
Type of the driving mechanism / motor drive		No
Design of the overcurrent release		ETU27B

General technical data		
Number of poles		3
Size of the circuit-breaker		1
Electrical endurance (switching cycles) / typical		20 000
Usage category		B
circuit-breaker / Design		3WL1112
Mechanical service life (switching cycles) / typical		20 000

Voltage		
Rated insulation voltage U_i	V	1 000

Protection class		
Protection class IP		IP20
Protective function of the overcurrent release		LSING

Dissipation		
Power loss [W]		
<ul style="list-style-type: none"> for rated value of the current / at AC / in hot operating state / per pole 	W	68.3
<ul style="list-style-type: none"> maximum 	W	205

Electricity		
Operating current / at 45 °C / rated value	A	1 250
Continuous current / rated value	A	1 250
Adjustable pick-up value current		
<ul style="list-style-type: none"> of the current-dependent overload release / Full-scale value 	A	1 250
<ul style="list-style-type: none"> of instantaneous short-circuit trip unit / initial value 	A	25 000
<ul style="list-style-type: none"> of instantaneous short-circuit trip unit / Full-scale value 	A	25 000
Short-time current resistance (I_{cw})		
<ul style="list-style-type: none"> limited to 0.5 s / rated value 	kA	55
<ul style="list-style-type: none"> limited to 2 s / rated value 	kA	29.5
<ul style="list-style-type: none"> limited to 3 s / rated value 	kA	24

Main circuit

Operating frequency		
• 1 / rated value	Hz	50
• 2 / rated value	Hz	60
Operating voltage		
• at AC / at 50/60 Hz / rated value	V	690
Operating current		
• at 40 °C / rated value	A	1 250
• at 50 °C / rated value	A	1 250
• at 55 °C / rated value	A	1 250
• at 60 °C / rated value	A	1 250
• at 65 °C / rated value	A	1 250
• at 70 °C / rated value	A	1 210

Auxiliary circuit

Number of NC contacts / for auxiliary contacts		2
Number of NO contacts / for auxiliary contacts		2

Suitability

Suitability for use		Plant / motor protection
----------------------------	--	--------------------------

Adjustable parameters

Adjustable pick-up value current		
• of the short-time delayed short-circuit release / initial value	A	1 563
• of the short-time delayed short-circuit release / Full-scale value	A	15 000
Adjustable pick-up value current / of the current-dependent overload release / initial value	A	500

Product details

Product component		
• Trip indicator		Yes
• Voltage trigger		No
• undervoltage release		No
Product extension / optional / motor drive		Yes

Product function

Product function		
• Ground fault protection		Yes
• Phase failure detection		Yes

Display and operation

Display version		without display
------------------------	--	-----------------

Short circuit

Operational short-circuit current breaking capacity (Ics)		
--	--	--

• at 415 V / rated value	kA	55
• at 500 V / rated value	kA	55
• at 690 V / rated value	kA	42
Maximum short-circuit current breaking capacity (Icu)		
• at 415 V / rated value	kA	55
• at 500 V / rated value	kA	55
• at 690 V / rated value	kA	42
Short-time current resistance (Icw) / limited to 1 s / rated value	kA	42

Connections

Arrangement of electrical connectors / for main current circuit		Main terminal on the rear horizontal
Type of electrical connection / for main current circuit		busbar connection

Mechanical Design





Height	mm	460
Width	mm	320
Depth	mm	456
Mounting type		drawer unit

Environmental conditions

Ambient temperature		
• during operation / minimum	°C	-20
• during operation / maximum	°C	70
• during storage / minimum	°C	-40
• during storage / maximum	°C	70

Certificates

Equipment marking		
• acc. to DIN EN 61346-2		Q
• acc. to DIN EN 81346-2		Q

General Product Approval		Declaration of Conformity	Test Certificates		Shipping Approval
			Miscellaneous	Special Test Certificate	
CCC	VDE	EG-Konf.			ABS

Shipping Approval					
					
BUREAU VERITAS	DNV	GL	LRS	PRS	RMRS

other	
Environmental Confirmations	Miscellaneous

Further information

Industry Mall (Online ordering system)

<https://mall.industry.siemens.com/mall/en/en/Catalog/product?mlfb=3WL1112-2DG36-1AA2>

Service&Support (Manuals, Certificates, Characteristics, FAQs,...)

<https://support.industry.siemens.com/cs/ww/en/ps/3WL1112-2DG36-1AA2>

Image database (product images, 2D dimension drawings, 3D models, device circuit diagrams, ...)

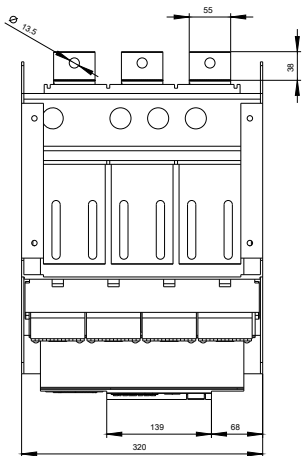
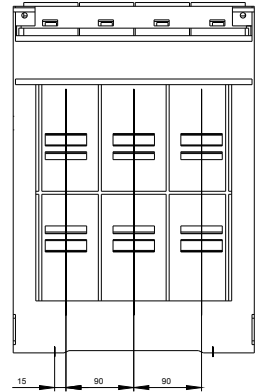
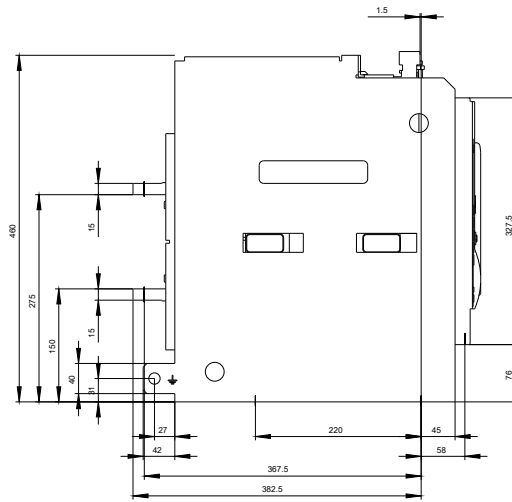
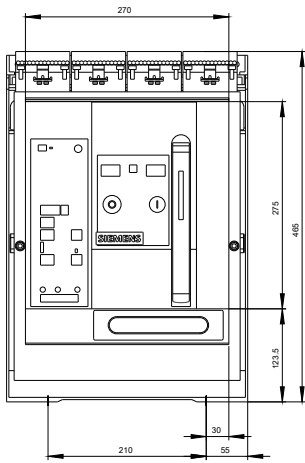
http://www.automation.siemens.com/bilddb/cax_en.aspx?mlfb=3WL1112-2DG36-1AA2

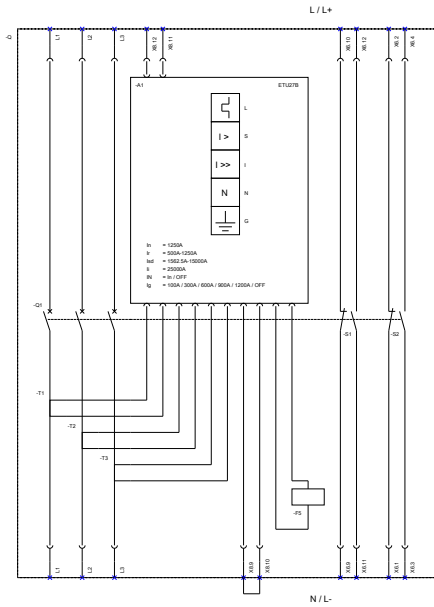
CAX-Online-Generator

<http://www.siemens.com/cax>

Tender specifications

<http://www.siemens.com/specifications>





last modified:

11/10/2017