

CIRCUIT BREAKER 230/400V 6KA, 1POLE, C,
4A



Similar to image

Mobile: 00989122160416
00989124094952
Office: 00982136610286
00982136610801

Technical data:

mounting position		any
Height	mm	90
Width	mm	18
Depth	mm	76
Mounting depth	mm	70
Current / for AC / rated value	A	4
Tripping characteristic class		C
Supply voltage		
• for AC / rated value	V	400
• with single-phase operation / with AC / rated value	V	230
• with multi-phase operation / with AC / rated value	V	400
Supply voltage frequency / rated value	Hz	50
Operating voltage		
• minimum	V	24
• with single-phase operation / with AC / maximum	V	250
• with multi-phase operation / with AC / maximum	V	440
• for DC / rated value / maximum	V	60
Number of poles		1

Number of poles /note		1P
Switching capacity current		
• in accordance with IEC 60947-2 / rated value	kA	6
• acc. to EN 60898 / rated value	kA	6
Active power loss / at rated value current / with AC / in warm operating state / per pole	W	1.3
Number of pitch units for width		1
Product feature / sealable		Yes
Protection class IP		IP20, with connected conductors
Degree of pollution		2
Influence of the surrounding temperature		Periodically +55°C, max. 95% humidity
Ambient temperature	°C	-25 ... +45
Ambient temperature / during storage	°C	-40 ... +75
Mechanical operating cycles as operating time / typical		20,000
Product equipment / touch-protection		Yes
type of voltage		AC/DC
Insulation voltage		
• with single-phase operation / with AC / rated value	V	440
• with multi-phase operation / with AC / rated value	V	440
Conductor cross-section that can be connected		
• solid	mm ²	0.75 ... 35
• multibrin	mm ²	0.75 ... 35
• finely stranded		
• with wire end processing	mm ²	0.75 ... 25
Tightening torque		
• with screw-type terminals	N·m	2.5 ... 3
Product feature		
• [not supplied - silicon-free]		Yes
• halogen-free		Yes
Number of test cycles / for environmental testing / in accordance with IEC 60068-2-30		6
Item designation / according to DIN EN 61346-2		F
Device tag / according to DIN EN 81346-2		F

Certificates/approvals:



[other](#)



other

[other](#)

Further information:

Information- and Downloadcenter (Catalogs, Brochures,...)

<http://www.siemens.com/lowvoltage/catalogs>

Industry Mall (Online ordering system)

<http://www.siemens.com/lowvoltage/mall>

Service&Support (Manuals, Certificates, Characteristics, FAQs,...)

<http://support.automation.siemens.com/WW/view/en/5SL6104-7/all>

Image database (product images, 2D dimension drawings, 3D models, device circuit diagrams, ...)

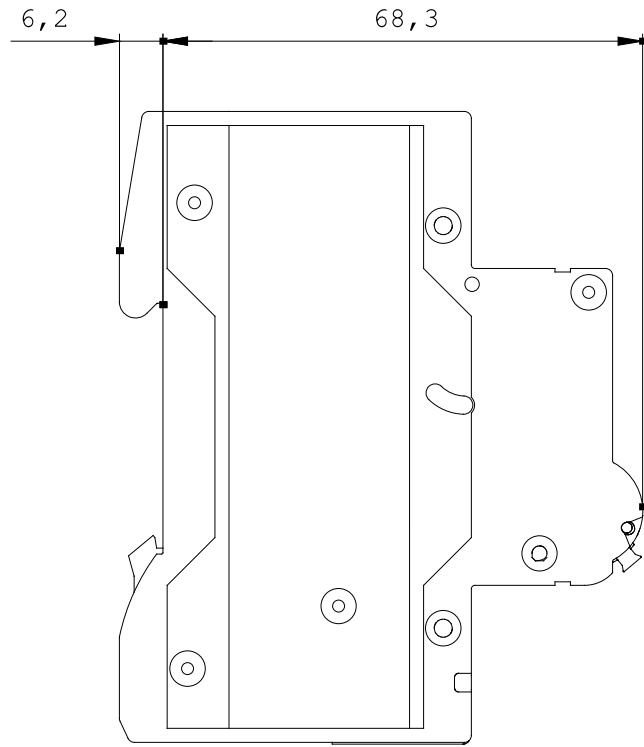
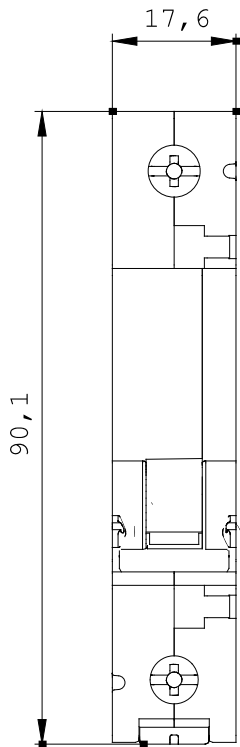
http://www.automation.siemens.com/bilddb/cax_en.aspx?mlfb=5SL6104-7

CAX-Online-Generator

<http://www.siemens.com/cax>

Tender specifications

[Datanorm GAEB81 GAEB83 RTF TXT](#)



last change:

Mar 4, 2013